

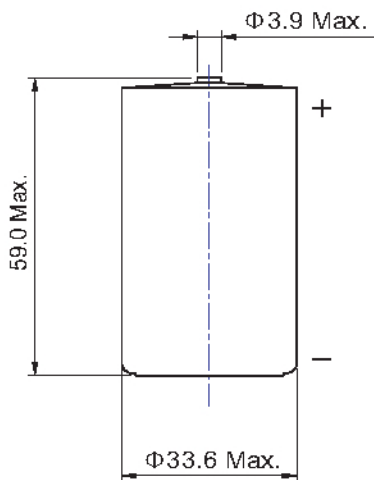
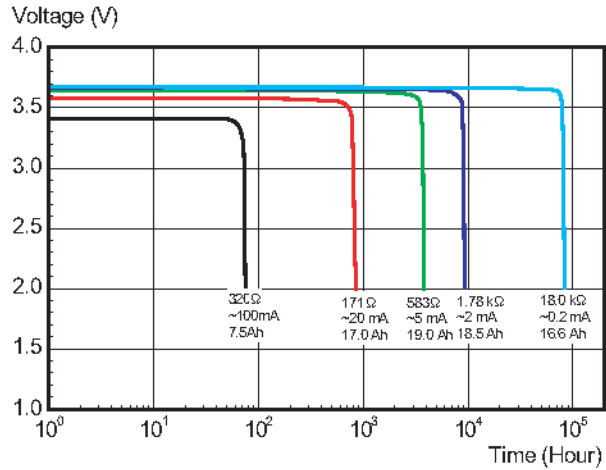
KEEPER PT-2300H

SPECIFICATIONS

(Typical values stored at 20°C for one year)

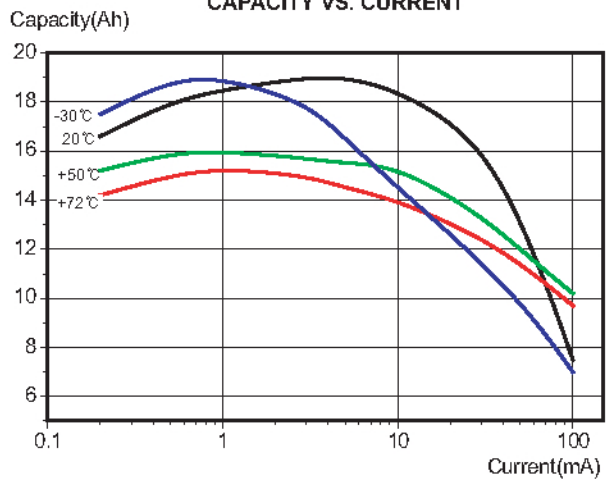
Nominal Capacity (at 5mA/20°C/68°F/2.0V Cut-Off)	19.0Ah
Nominal Voltage	3.6V
Maximum Continuous Current	230mA
Maximum Pulse Current	500mA
Operating Temperature Range	-55~85°C
Weight	93.5g
Volume	51.0cm ³
UL Approval	MH28122

DISCHARGE CHARACTERISTICS AT +20°C



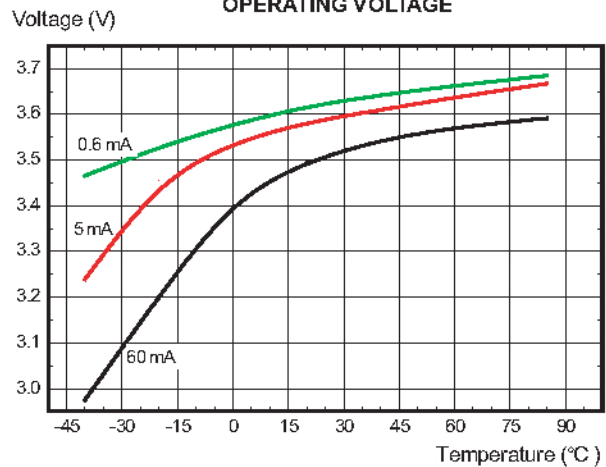
DIMENSIONS IN MM

CAPACITY VS. CURRENT



Available Terminal Type :
STD, T1, AX, Wire,
Connector Type

OPERATING VOLTAGE



Any values in product catalogues are for informational purposes only.

They can also differ from actual conditions of usage and are not warranties of future performance.