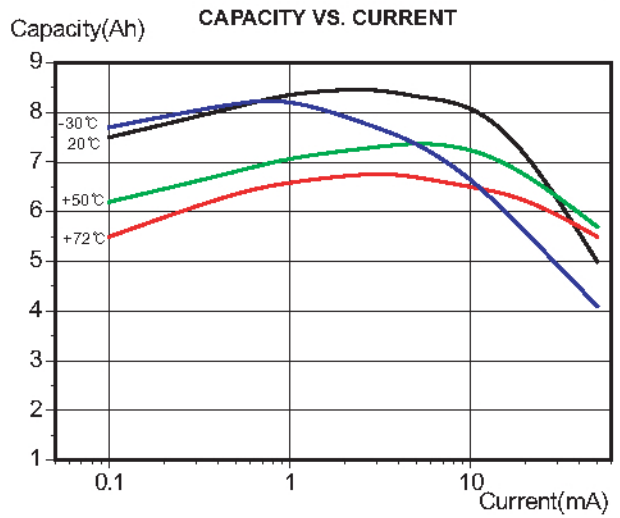
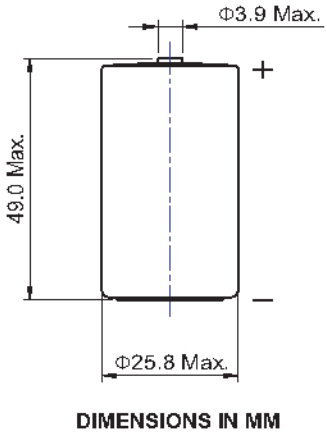
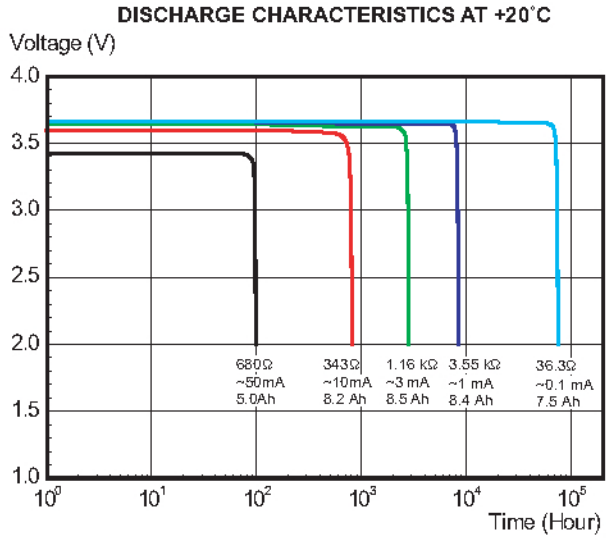
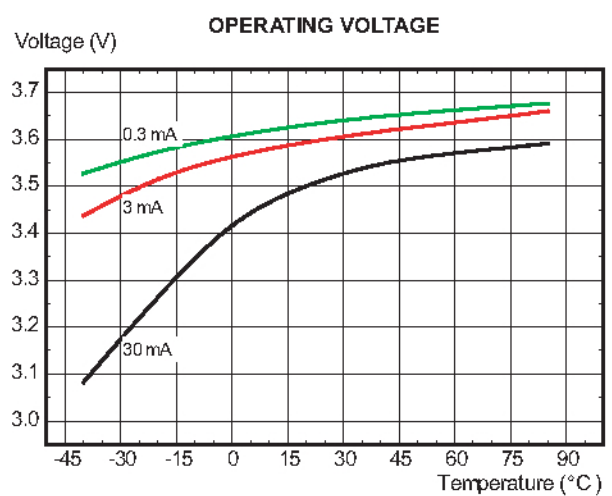


# KEEPER PT-2200H

SPECIFICATIONS	
(Typical values stored at 20°C for one year)	
Nominal Capacity	8.5Ah
(at 3mA/20°C/68°F/2.0V Cut-Off)	
Nominal Voltage	3.6V
Maximum Continuous Current	230mA
Maximum Pulse Current	400mA
Operating Temperature Range	-55~85°C
Weight	49g
Volume	26.0cm <sup>3</sup>
UL Approval	MH28122



Available Terminal Type :  
STD, T1, AX, Wire,  
Connector Type



Any values in product catalogues are for informational purposes only.  
They can also differ from actual conditions of usage and are not warranties of future performance.