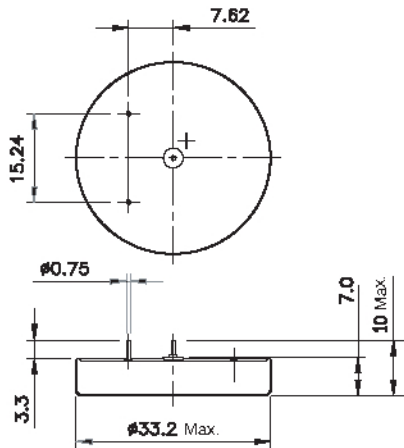
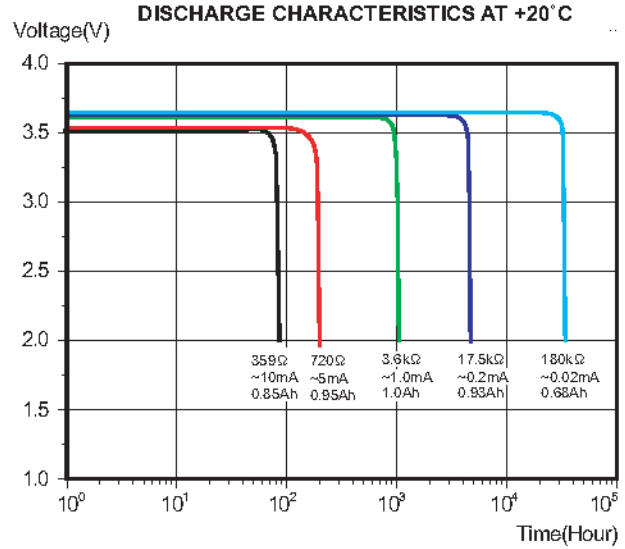


KEEPER

HP-5134

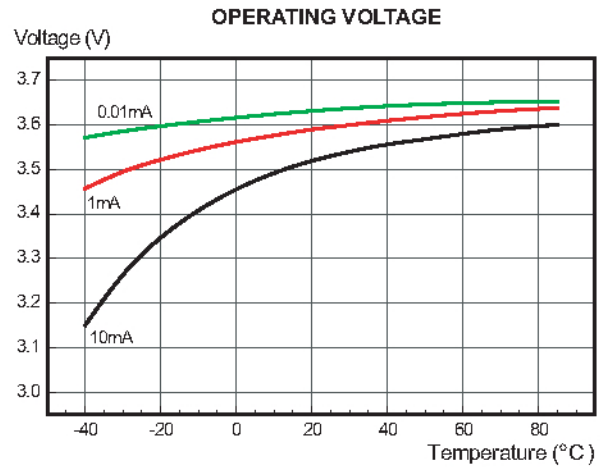
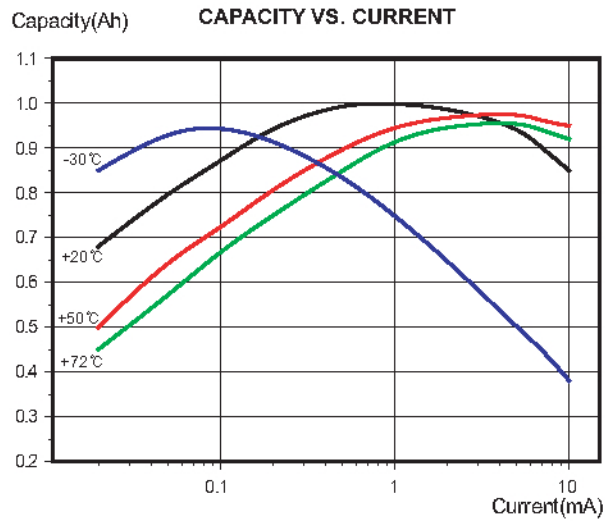
SPECIFICATIONS	
(Typical values stored at 20°C for one year)	
Nominal Capacity	1.0Ah
(at 1mA/20°C/68°F/2.0V Cut-Off)	
Nominal Voltage	3.6V
Maximum Continuous Current	10mA
Operating Temperature Range	-55~85°C
Weight	19.6g
Volume	5.6 cm ³
UL Approval	MH28122



DIMENSIONS IN MM



Available Terminal Type :
3 AX Type 3.3 mm and
5.5 mm



Any values in product catalogues are for informational purposes only.

They can also differ from actual conditions of usage and are not warranties of future performance.